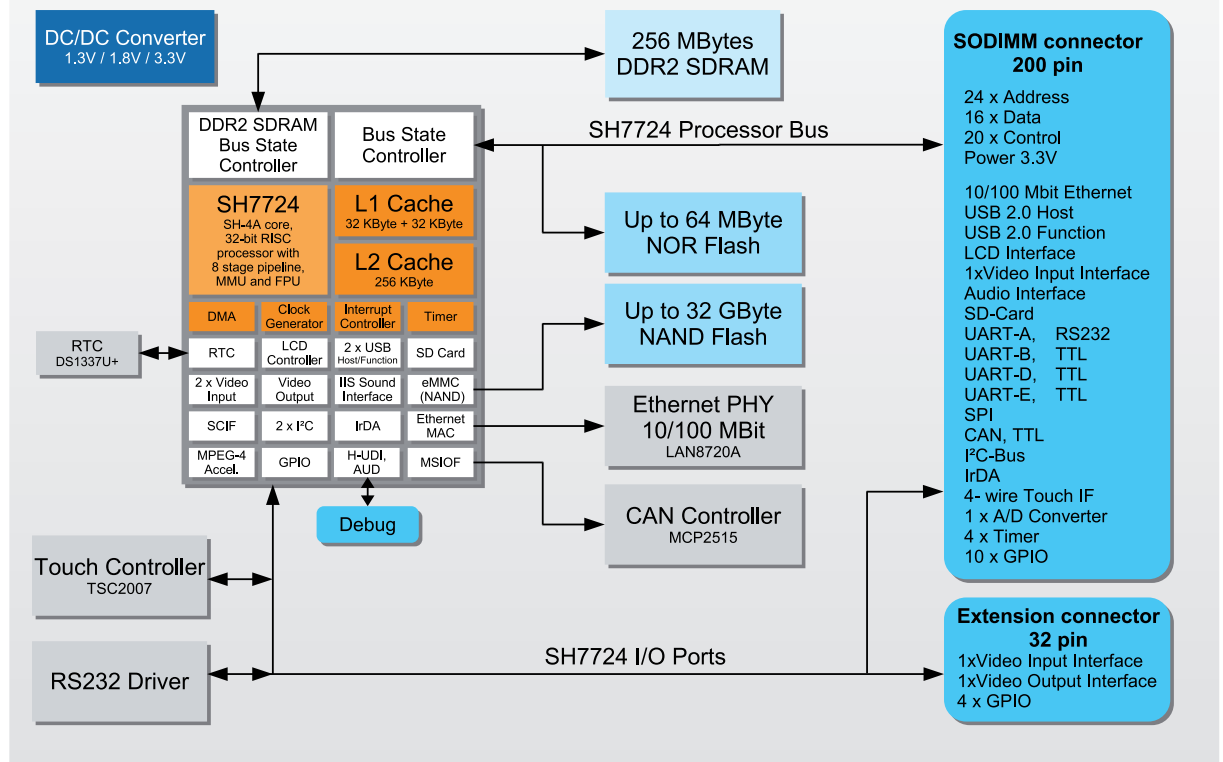
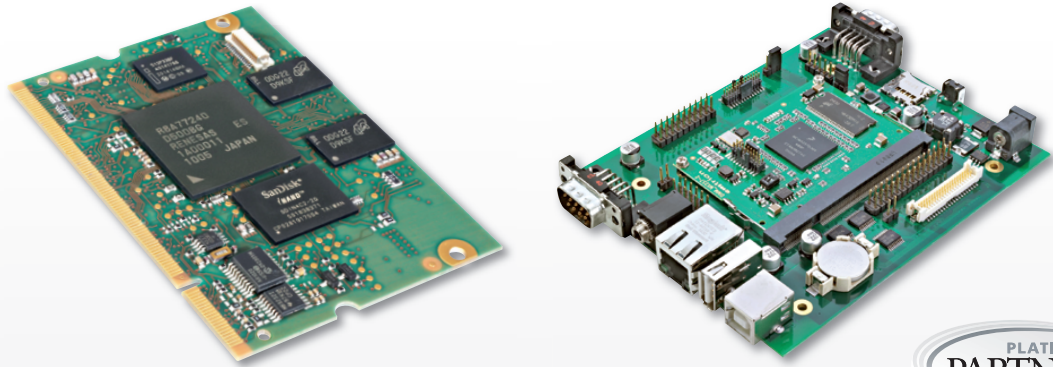


# DIMM-SH7724 Processor module

SODIMM sized with 2 camera interfaces



## Getting started and reducing your time to market:

### System developer and Application developer Starter kits:



You can buy not only the hardware, but also software and hardware combined into one of our System developer or Application developer starter kits from Emtrion. You can start your application or kernel development easily, and shorten the time to market.



## DIMM-SH7724

# Embedded module

with Renesas SuperH SH7724 Processor

		
Product	DIMM-SH7724	DIMM-SH7724-SBC
Windows CE	-	-
Linux	2.6	-
QNX	-	-
Android	-	-
CPU	Renesas SH7724 (SH-4A) 500 MHz 900 MIPS	
Multimedia	MPEG-4 H.264 HW accelerator for video encode and decode JPEG processing unit	
Coprocessor	FPU	
Flash	up to 1GB NAND Flash	
RAM	256MB DDR2 SDRAM	
Ethernet	100Base TX	
UART: RS232/LVTTL/IrDA	1 / 3 / 1	1 / 3 / 0
USB Host	2.0 high speed	
USB Device	2.0 high speed	
Digital Audio	-	
Analog Audio	SSI Interface	Stereo out
Video In/Camera	YCrCb 4:2:2 interface for 2xCMOS Camera up to 5MPixel or PAL/NTSC codec	YCrCb 4:2:2 interface for CMOS Camera up to 5MPixel
Video out	NTSC, YCrCb 4:2:2 interface	-
CAN	2.0 A/B	
I2C	1	
SPI	1	
Digital GPIO	10	
MMC/SDC	MMC/SDC (SDIO)	micro SD
Touch interface	4-wire resistive	
RTC (battery buffered)	yes	1x battery holder with CR1632
LCD interface	up to SVGA	
Size in mm	67.6 x 50 x 9	125 x 100
max. power consumption	3.3V@400mA	
Operating temperature	0...70° C, opt. -20...85° C	
Interface to carrier board	Processor bus and I/O via SODIMM connector (200 pos., 2.5V keying)	
Carrier boards available	yes	-
Starterkits available	yes	
Custom specific solutions	yes	

Technische Änderungen vorbehalten.  
Stand: 12/2011

### emtrion GmbH

Alter Schlachthof 45  
D-76131 Karlsruhe  
Tel. +49 (0) 721 62725-0  
Fax +49 (0) 721 62725-19  
E-Mail sales@emtrion.com

Visit us on the Internet:  
[www.emtrion.com](http://www.emtrion.com)