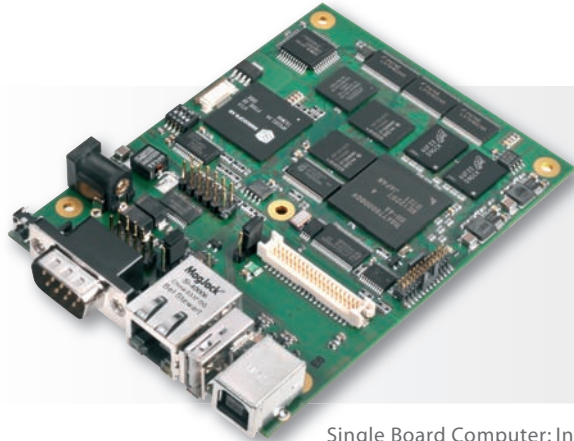


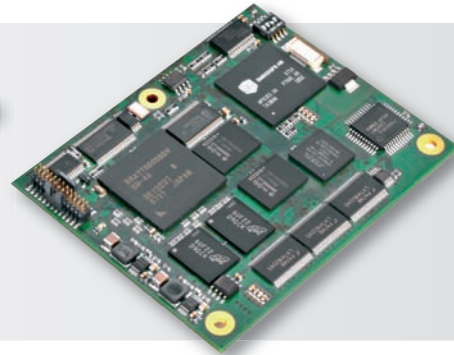
HiCO.SH7780

Embedded Computer

Boards for sophisticated embedded design projects



Single Board Computer: Industrial standard
Dimensions: 82 x 110 mm



Core module: Industrial standard
Dimensions: 82 x 66 mm

Key features:

- Processor Renesas SuperH SH-4A 7780, FPU
- Complies with HiCO.nect: extensible up to a PC/104 system
- LCD-VGA Graphics 1024 x 768 Pixel
- 32MB NOR Flash/128MB DDR SDRAM
- USB Host, USB Device
- 100BaseTX Ethernet
- 3*serial (1*RS232, 2* LVTTTL)
- CAN Controller, CAN2.0B, CAN2.0A
- CF Card and MMC Controller
- MicroSD Socket
- Extended temperature range possible

- Board-Support-Package for Microsoft Windows CE 6.0, QNX 6.3, Linux 2.6
- Short boot time
- Low power consumption ~3Watt: runs fanless!

Key Applications:

- Game machines
- Digital home electronics products
- Network control systems
- Car navigation systems
- Industrial equipment

Ask us for the data sheet!

The boards are available as universal solution ready for series employment, as customized special version or it can serve as a design base from which customized solutions are developed with the hardware and software support of the experts from emtrion.

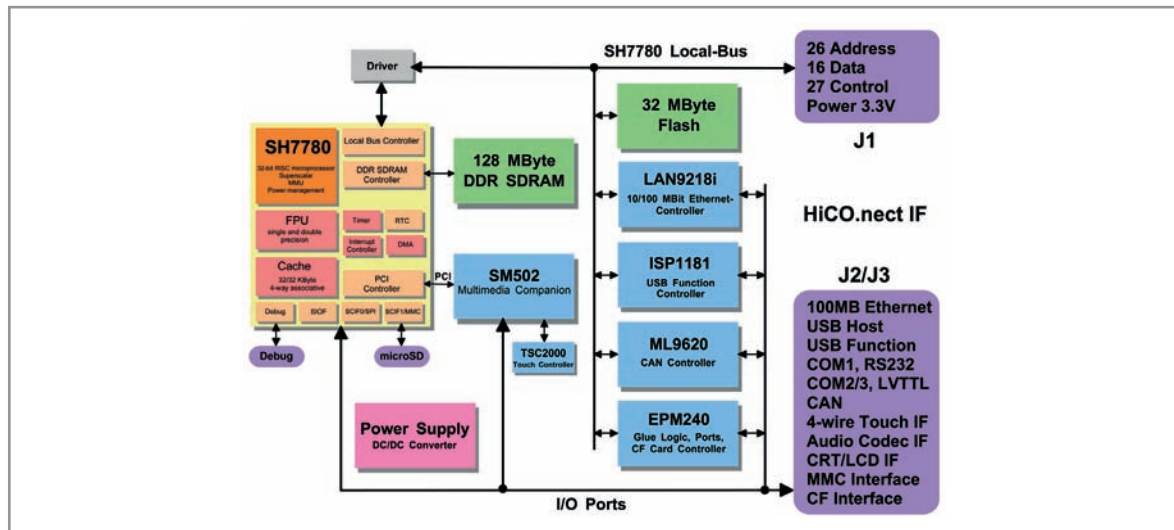


Main Office Germany

Greschbachstraße 12
D-76229 Karlsruhe
Tel. +49 (0) 721 62725-0
Fax +49 (0) 721 62725-19
E-Mail sales@emtrion.com

Visit us on the Internet:
www.emtrion.com

Block diagram HiCO.SH7780:



Getting started and reducing your time to market:

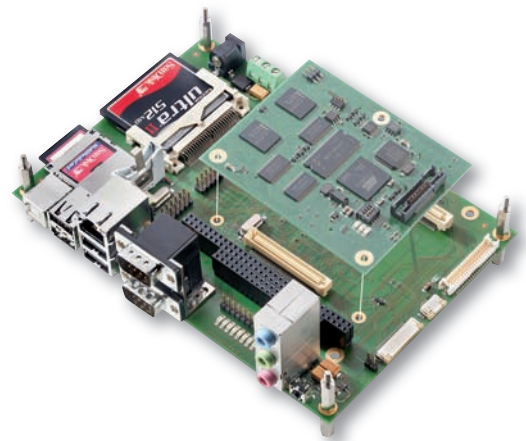
- **HiCO.nect-openBase carrier board:**

This base board in EPIC format contains the HiCO.nect connectors fitting to the connectors of HiCO.SH7780-core. The board provides the necessary peripheral parts and connectors for all used interfaces of the CPU module. Among them you find a CAN interface, USB Host connectors, USB Device, Ethernet, RS232 ports, analog Audio input and output via Audio jacks, a connector for TFT displays, a SD and CF card socket, battery buffered SRAM, PC/104 connector, some GPIO pins and others. Power can be supplied via a 5 V wall screwing terminal or power jack connector power supply. The HiCO.nect-openBase is usable for all HiCO.nect processor modules from emtrion.

- **System developer and Application developer Starter kits:**

From emtrion you can buy the hardware but also software and hardware combined into one of our System developer or Application developer Starter kits.

You can start your application or kernel development easily, and shorten the time to market.



Main Office Germany

Greschbachstraße 12
 D-76229 Karlsruhe
 Tel. +49 (0) 721 62725-0
 Fax +49 (0) 721 62725-19
 E-Mail sales@emtrion.com

Visit us on the Internet:
www.emtrion.com