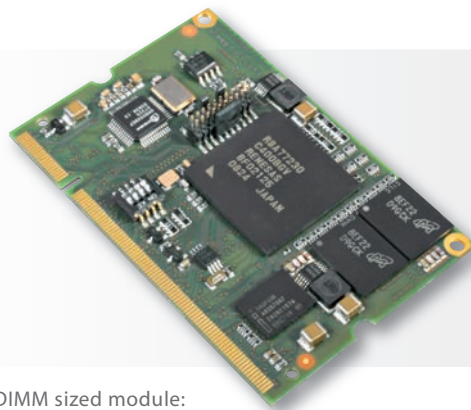
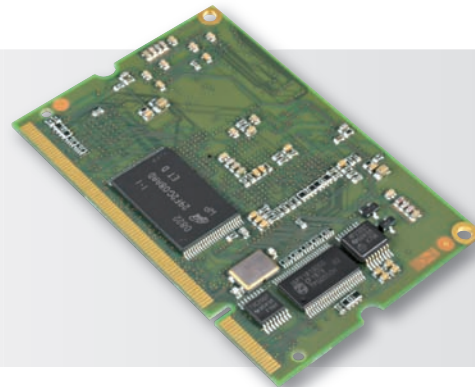


HiCO.DIMM7723**Processor module**

SODIMM sized also for your embedded multimedia projects



SODIMM sized module:
Dimensions: 67.5 mm x 45 mm, top view



Bottom view

**Key features:**

- Processor Renesas SuperH SH-4A SH7723, 400 MHz, 720 MIPS
- 128 MB DDR RAM / 256 MB NAND Flash, 8 MB NOR Flash
- TFT interface up to SVGA, Touch
- Video in / Video out
- 2D processing unit
- CCD Camera interface
- MPEG4 hardware accelerator
- Analog and digital Audio
- USB 2.0 Host and Device
- 100BaseTx Ethernet
- 5 serial interfaces
- Board-Support-Package for Linux 2.6.27 and Microsoft Windows CE 6.0 R2
- Fits in a regular 2,5V SODIMM200 memory socket - easy extensible with a carrier board
- Low power consumption < 1,5 Watt!

Key Applications:

- Industrial applications
- V2IP (video and voice over IP) devices
- Video surveillance systems
- Operation panel units, HMI
- High-end Audio/Vidoe equipment

Ask us for the data sheet!

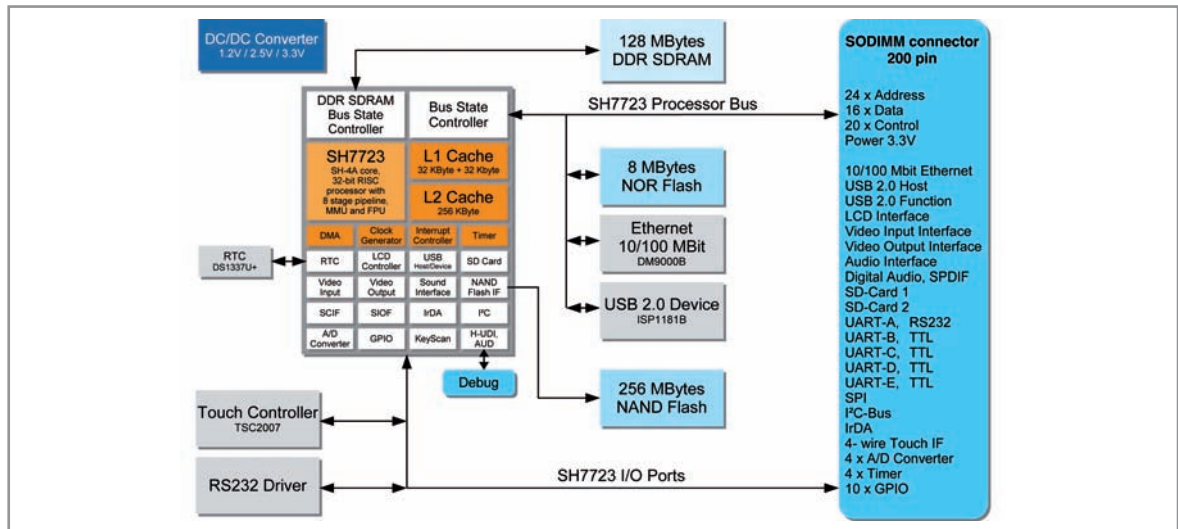
The board is available as universal solution ready for series employment and as customized special version. It can also serve as a reference design from which customized solutions can be developed with the hardware and software support of emtrion.

**Main Office Germany**

Greschbachstraße 12
D-76229 Karlsruhe
Tel. +49 (0) 721 62725-0
Fax +49 (0) 721 62725-19
E-Mail sales@emtrion.com

Visit us on the Internet:
www.emtrion.com

Block Diagram HiCO.DIMM7723:



Getting started and reducing your time to market:

- **HiCO.DIMM-Base carrier board:**

The HiCO.DIMM-Base contains a 200 pos SODIMM socket fitting to the HiCO.DIMM7723 and supports all peripheral interfaces of the CPU module. The board provides the necessary peripheral parts and connectors for all used interfaces. Among them you find USB Host connectors, USB Device, Ethernet jack, RS232 ports, Video input and output via RCA jacks, analog Audio input and output via Audio jacks, digital Audio interface via RCA jacks, a connector for TFT displays, two SD Card sockets and others. Power can be supplied via a 5 V wall power supply, via the USB Device connector or via a Lithium battery. Battery management is included. The HiCO.DIMM-Base is usable for all HiCO.DIMM processor modules from emtrion.

- **System developer and Application developer Starter kits:**

From emtrion you can buy the hardware but also software and hardware combined into one of our System developer or Application developer starter kits. You can start your application or kernel development easily, and shorten the time to market.



Main Office Germany

Greschbachstraße 12
D-76229 Karlsruhe
Tel. +49 (0) 721 62725-0
Fax +49 (0) 721 62725-19
E-Mail sales@emtrion.com

Visit us on the Internet:
www.emtrion.com